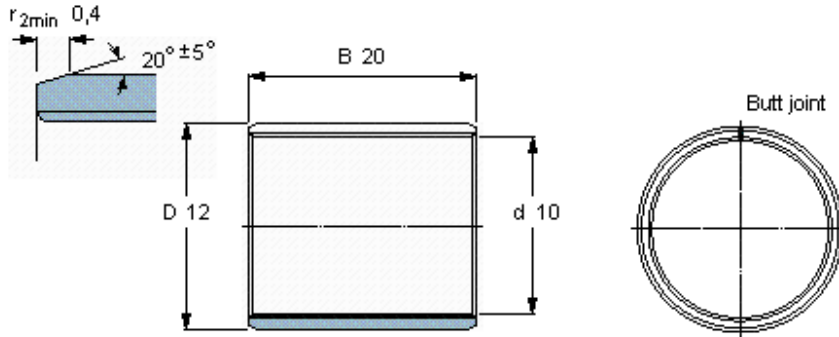


Composite dry sliding bushings, metric dimensions

| Principal dimensions | | | Basic load ratings | | Mass | Designation |
|----------------------|----|----|--------------------|--------------|--------|--------------|
| d | D | B | dynamic C | static C0 | | |
| mm | 12 | 20 | kN | | kg | - |
| 10 | | | 16 | 50 | 0,0051 | PCM 101220 E |



Specific load factor K 80
Material constant K_M 480